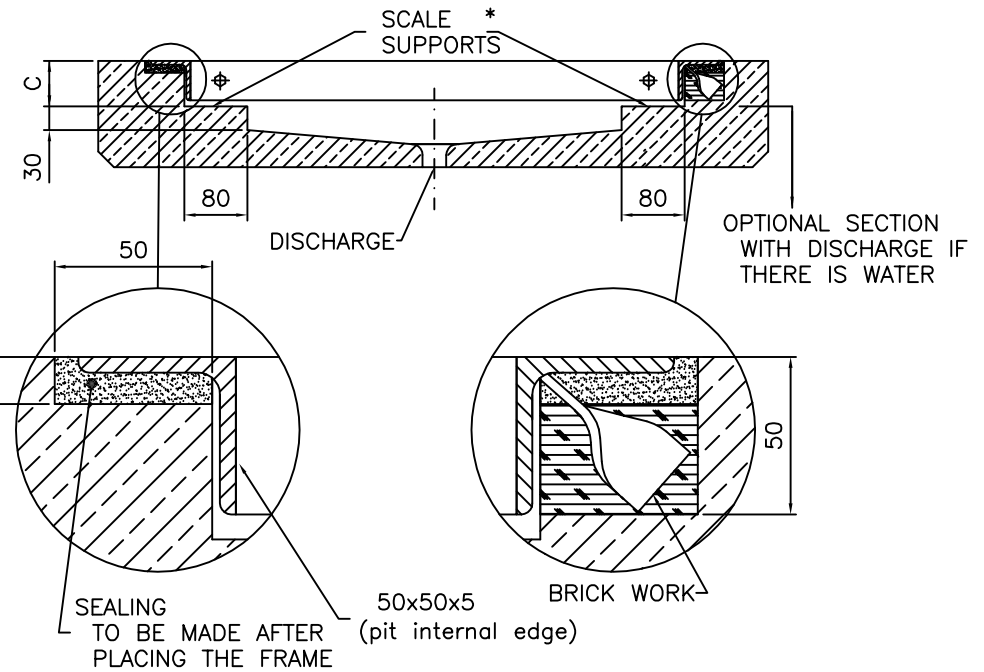
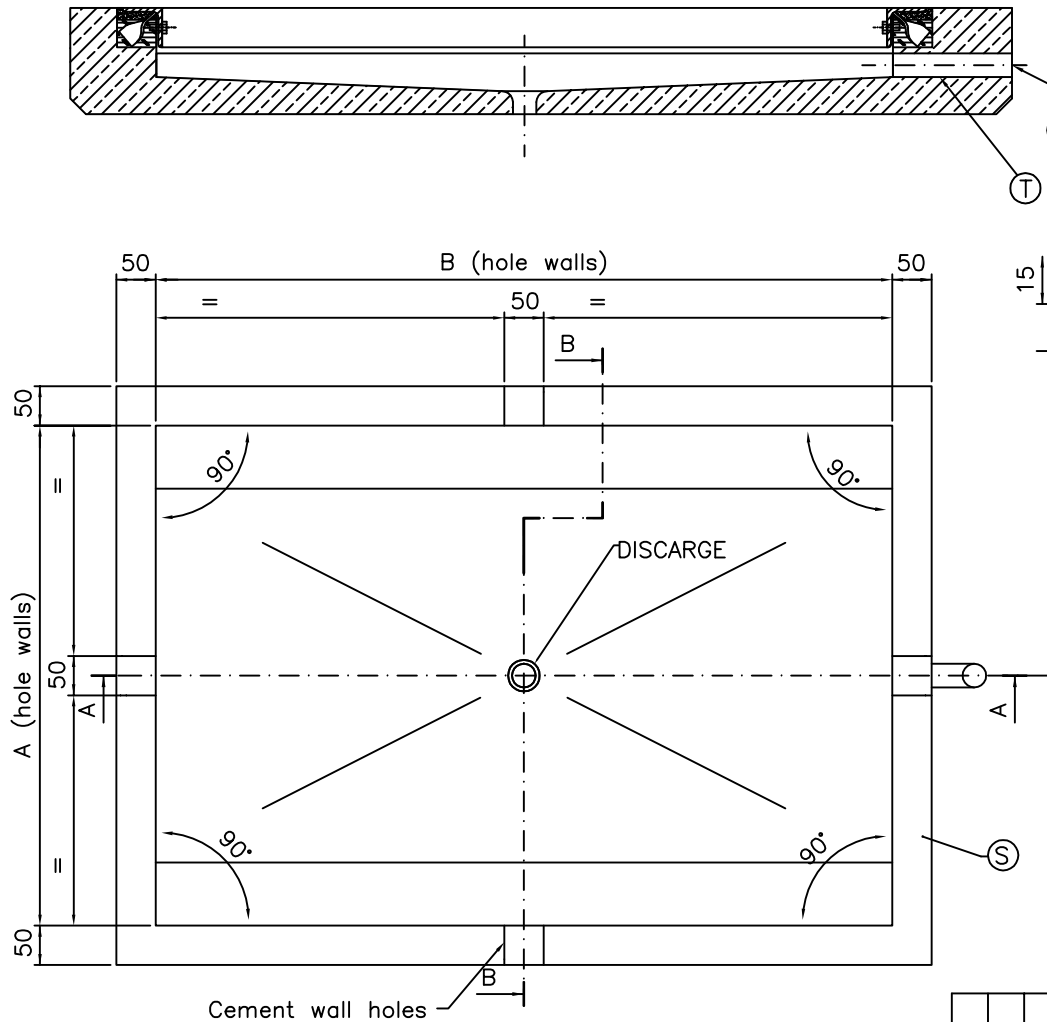


SEZ A-A

SEZ B-B



ALL THE MEASUREMENTS MAY BE MODIFIED WITHOUT PRIOR NOTICE

PLATFORM MODEL	A	B	C
WWSC	535 ⁺⁵ ₀	535 ⁺⁵ ₀	55 ⁰ ₋₂
WWSD	635 ⁺⁵ ₀	935 ⁺⁵ ₀	55 ⁰ ₋₂
WWSE	585 ⁺⁵ ₀	735 ⁺⁵ ₀	55 ⁰ ₋₂
WWSF	835 ⁺⁵ ₀	935 ⁺⁵ ₀	67 ⁰ ₋₂

- Ⓛ TO INDICATOR
 - Ⓣ Ø50 TUBE FOR CABLE OUTPUT
 - Ⓢ SCALE PROFILE PLACE AND FINAL SEALING
- * THE SUPPORT MUST BE PLANAR, WELL LEVELLED AND SUITABLE TO SUSTAIN THE LOAD

REV.	DIS.	MODIFICA	DATA	DIMENSIONE														
				0-3	3-6	6-30	30-120	120-400	400-1000	1000-2000	2000-4000	>4000	0-10	10-50	50-120	>120		
			QUOTE SENZA TOLL. UNI EN 22768-1	GROSS.	+0.2	+0.3	+0.5	+0.8	+1.2	+2	+3	+4	+5	+5	+10	+10	+10	+30
				MEDIO	+0.1	+0.1	+0.2	+0.3	+0.5	+0.8	+1.2	+2	+3	+3	+1*	+30'	+30'	+15'
				PRECISO	+0.05	+0.05	+0.1	+0.15	+0.2	+0.3	+0.5	-	-	-	+1*	+30'	+20'	+10'
			MATERIALE MATERIAL	-														
			TRATTAMENTI TREATMENTS	-														
			DATA-DATE	08/05/08	DISIGN.-DRAWED	L.G.	APPROV.-APPROVED	A.M.	SCALA-SCALE	1/10	FOGLIO-SHEET	A4						
			DESCRIZIONE DESCRIPTION	FOUNDATION SIZES FOR WWS PLATFORMS														
			DINI AR GEO									CODICE CAD CAD CODE	931F35					
			Bilance Sistemi per pesare									CODICE CODE	-					